

A2F Liquid Tight Elbow Conduit Gland 90°

Size : 16mm to 40mm & 3/8" to 1 1/4"

Function : Suitable for all types Liquid Tight Conduit.

Construction : Unlike normal conduit glands which have a two piece construction these conduit glands have a four piece construction and use an additional O-Ring to achieve IP66/IP67 protection levels.
The additional components inside this gland are ferrule and clamping ring which in combination are able to provide an IP66/IP67 protection levels.

ATEX Certificate No. : Coming Soon

PESO Certificate No. : Coming Soon

Code of Protection : Ex db IIC Gb, Ex eb IIC Gb, Ex tb IIIC Db

Ingress Protection : IP66/IP67

Operating Temp. : -60°C to +135°C

Material : Nickle Plated Brass, Stainless Steel 316L

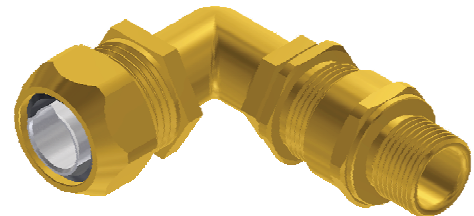
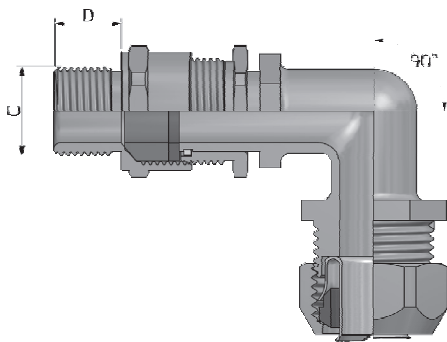
Thread : Metric, NPT

Seal Material : LSOH Silicone Seal, Nylon substrate

Features : Displacement Seal

Standard Accessories : IP Washer (Thread Seal)

Optional Accessories : Shroud, Lock Nut, Earth Tag, Serrated Washer, Ingress Disc



Gland Selection Chart

Size	Standard Thread Size "C"		Optional Thread Size "C"		Thread Length "D"	Cable Dia. A		Conduit Diameter		Suitable for Conduit Size	Ordering Suffix for Conduit Size
	Metric	NPT	Metric	NPT		Min	Max	Inner Dia.	Outer Dia.		
16	M16	3/8"	-	-	15.00	3.10	8.60	12.60	17.80	3/8"	MP10
20s16	M20	1/2"	M25	3/4"	15.00	3.10	8.60	12.60	17.80	3/8"	MP10
20s	M20	1/2"	M25	3/4"	15.00	6.10	11.70	12.60	17.80	3/8"	MP10
20	M20	1/2"	M25	3/4"	15.00	6.50	13.90	16.00	21.10	1/2"	MP15
25	M25	3/4"	M32	1"	15.00	11.30	19.90	21.00	26.40	3/4"	MP20
32	M32	1"	M40	1.1/4"	15.00	17.00	26.20	26.50	33.10	1"	MP25
40	M40	1.1/4"	M50	1.1/2"	15.00	23.60	32.10	35.10	41.80	1.1/4"	MP32

Product Code for Ordering Purpose

Size	Type	Material	Thread Type	Shroud Type	Accessories	Conduit Size
16	A2FLTE	Brass-1	Standard Metric-11	PVC Shroud-PS	Lock Nut-5	MP10, MP15...
		Stainless Steel-2	Standard NPT-12	LSF Shroud-LS	IP Washer-6	
		Nickel Plated-3	Optional Metric-16	LSOH Shroud-SL	Serrated Washer-7	
			Optional NPT-17	PCP Shroud-PC	Ingress Disc-8	
					Earth Tag-9	

Ordering Information

Code: 16A2FLTE311PS569MP10
A2FLTE-M16-MP10 Nickle Plated Liquid Tight Straight Conduit Gland Kit

16=Gland Size, A2FLTE=Gland Type, 3= With Nickle Plated Material, 11=With Standard Metric Thread, PS= With PVC Shroud, 5=With Lock Nut, 6=With IP Washer, 9=With Earthing Tag, MP10 = Conduit Size