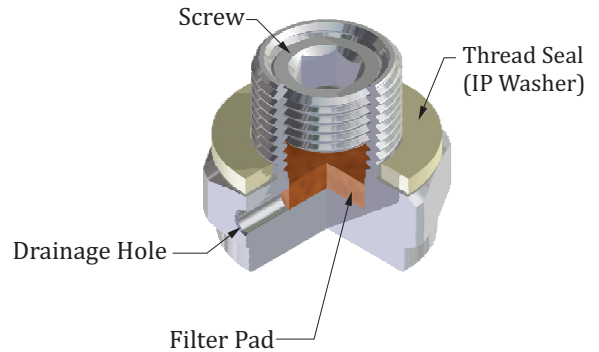
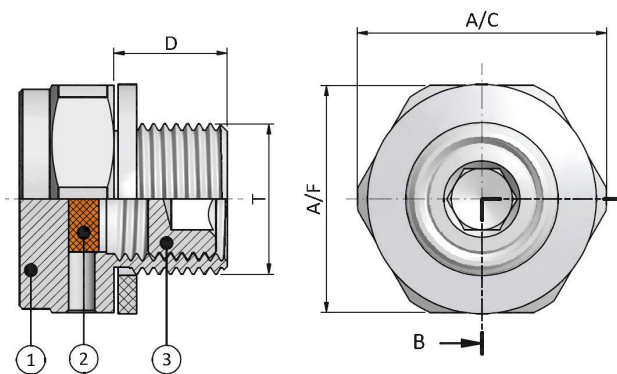


BREATHER DRAIN PLUG (For Ex e use)

Size : 16mm to 32mm & ½" to 1"
Standard : IEC EN60079-0:2018, EN/IEC 60079-31:2014/2013
IECEx Certificate No. : IECEx ITS 16.0041X
ATEX Certificate No. : ETL22ATEX0109X
EAC Certificate No. : TC RU C-IN.Г508.В.02588
Code of Protection : Ex eb IIC Gb, Ex tb IIIC Db
Ingress Protection : IP66 as per EN 60529.
Operating Temp. : -60°C to +125°C
Material : Brass CW614N/CW617N/EN12165, Stainless Steel 316L

Breather Drain is designed to:

- 1) effectively drain moisture from an enclosure.
- 2) allow air from the enclosure to vent into the surrounding atmosphere thereby minimising moisture build up.
- 3) provide the explosion proof safety required by a hazardous area environment. The Breather Drain is fastened to the lowest point of the enclosure by means of a spanner. The thread seal will seal against the enclosure face enhancing the I. P. rating of the Plug.
- 4) The breather/drains are only suitable for bottom entry application within associated Ex eb and Ex tb enclosures.



1. Breather Drain Plug
2. Filter Pad
3. Screw

Size	Standard Thread (T)			Optional Thread (T)		Min Thread Length (D)	Across Flat (A/F)	Across Corner (A/C)	Torque (Nm)
	Metric	NPT/BSP	ET	Metric	NPT/BSP				
16	M16×1.5	3/8"	5/8"	M20×1.5	1/2"	15.00	24.00	26.50	7
20	M20×1.5	1/2"	3/4"	M25×1.5	3/4"	15.00	24.00	26.50	7
25	M25×1.5	3/4"	1"	M32×1.5	1"	15.00	30.00	33.00	10
32	M32×1.5	1"	1 1/4"	M40×1.5	1 1/4"	15.00	36.00	39.20	15

Product Code for Ordering Purpose			
Size	Type	Material	Thread Type
20	BDPE	Brass-1	Standard Metric-11
		Stainless Steel-2	Standard NPT-12
		Nickel Plated-3	ET Thread-13
			BSP Thread-15
			Optional Metric-16
			Optional NPT-17
			Optional BSP-20

Breather Drain Plug pack includes Lock Nut & IP Washer

Ordering Information	
<p>Code: 20 BDPE 11 / 20 BDP E 1 12 - M20 Brass Breather Drain Plug Ex e - 1/2" NPT Brass Breather Drain Plug Ex e</p>	<p>20 =Plug Size, BDPE =Breather Drain Plug Ex e, 1 =With Brass Material, 11 =With Metric thread 12 =With NPT thread</p>