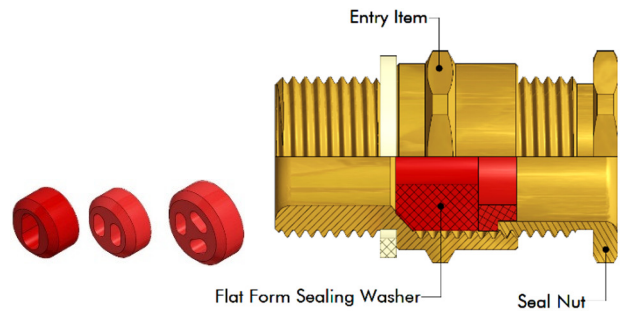
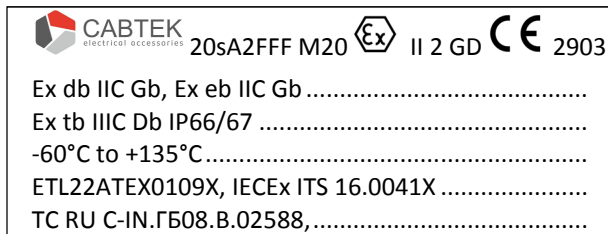


EU DECLARATION OF CONFORMITY

1. Document Sr. No :
2. Client :
3. P. O No. :
4. Product/product type :-
 Product Name : **A2F-FF Flameproof Ex d and Ex e Cable Gland**
 Product Type : **Single Compression for all types of Flat-Form Unarmoured & Braid Armour Cables**
5. Name and address of the manufacturer and, where applicable, his authorized representative:
 Manufacturer: **AKSHAR BRASS INDUSTRIES**, Plot No 46,47,50,51, Survey No. 246, 245 & 238 at Naghedi Industrial Area, Jamnagar - 361006, Gujarat, India
6. This declaration of conformity is issued under the sole responsibility of the manufacturer.
7. Object of the declaration (identification of product allowing traceability; it may, where necessary for the identification of the product, include an image):



8. The object of the declaration described above is in conformity with the relevant Union harmonization legislation:
Directive 2014/34/EU of the European Parliament and of the Council, dated 26 February 2014.
9. References to the relevant harmonized standards used or references to the other technical specifications in relation to which conformity is declared:
 EN IEC 60079-0:2018
 EN/IEC 60079-1:2014
 EN/IEC 60079-31:2014/2013
10. Intertek Testing Services NA Ltd., 14920-135 Avenue, Edmonton, AB, T5V 1R9, Canada, Notified Body No. 2903, performed Module B +D and issued EU type examination Certificate No.: ETL22ATEX0109X, IECEx ITS16.0041X and Production Quality Assurance Notification No.: ETL21ATEXQ0016

Signed for and on behalf of:



Authorized Signatory
 Invoice No. :
 Dated :
 Place : Jamnagar

AKSHAR BRASS INDUSTRIES