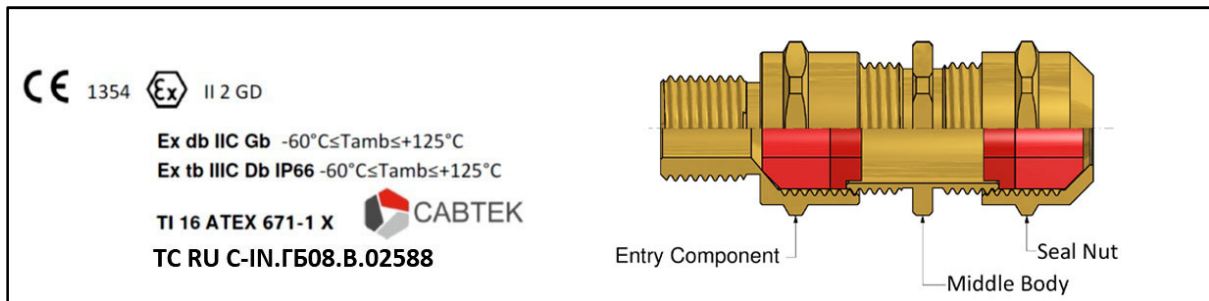


## EU DECLARATION OF CONFORMITY

1. Document Sr. No :
2. Client :
3. P. O No. :
4. Product/product type :-  
Product Name : **SS2KGP Flameproof Ex d Cable Gland.**  
Product Type : **Double Compression with Unarmoured Cable**
5. Name and address of the manufacturer and, where applicable, his authorized representative:  
Manufacturer: **AKSHAR BRASS INDUSTRIES**, Plot No 46,47,50,51, Survey No. 246, 245 & 238 at Naghedi Industrial Area, Jamnagar - 361006, Gujarat, India
6. This declaration of conformity is issued under the sole responsibility of the manufacturer.
7. Object of the declaration (identification of product allowing traceability; it may, where necessary for the identification of the product, include an image):



8. The object of the declaration described above is in conformity with the relevant Union harmonization legislation:  
**Directive 2014/34/EU of the European Parliament and of the Council, dated 26 February 2014.**
9. References to the relevant harmonized standards used or references to the other technical specifications in relation to which conformity is declared:  
EN 60079:2012/A11:2013  
EN 60079-1:2014  
EN 60079-31:2014
10. Technicka Inspekcia a.s, Trnavska cesta 56, 82101, Bratislava, Slovakia, **Notified Body Identification no. 1354**, performed Module B +D and issued EU type examination Certificate No.: **TI 16 ATEX 671-1 X** and Production Quality Assurance Notification No.: TI 16 ATEX 671-4

Signed for and on behalf of:



Authorized Signatory

Invoice No. :

Dated :

Place : Jamnagar

---

## AKSHAR BRASS INDUSTRIES

Plot No 46,47,50,51, Survey No. 246, 245 & 238 at Naghedi Industrial Area, Jamnagar - 361006, Gujarat, India,  
Phone: +91 76006 16887, E-mail: info@aksharbrassind.com, web: www.aksharbrassind.com